

## TADANO CARGO CRANE

MODEL : **TM-ZE553MH**

## CRANE SPECIFICATIONS

<u>CRANE CAPACITY</u>	5,050 kg at 2.5 m (5-part line)
<u>BOOM</u>	Three-sectioned, fully hydraulic telescoping boom of heptagonal box construction Retracted length ----- 3.47 m Extended length ----- 8.31 m Extending speed ----- 4.84 m / 18 s Elevation ----- Elevated by a double-acting hydraulic cylinder Elevating speed ----- 1° to 78° / 12 s Boom point ----- 3 sheaves
<u>WINCH</u>	Hydraulic motor driven    Spur gear speed reduction, provided with mechanical brake Single line pull ----- 9.90 kN{1010 kgf} Single line speed ----- 66 m/min.(at 4th layer) Wire rope Diameter x length ----- 8 mm x 67 m Breaking strength ----- 50.1 kN{5.1 tf} Construction ----- 7 x 7 + 6 x WS(26) Hook block ----- 2 sheaves
<u>HOOK STOWING DEVICE</u>	Mechanically stowed beneath boom top portion



## RATED LIFTING CAPACITIES IN KILOGRAMS

### Crane Strength Rated Capacities

Load Radius	3.47m Boom		Load Radius	5.91m Boom		Load Radius	8.31m Boom	
	Extension width of outriggers			Extension width of outriggers			Extension width of outriggers	
	Full	Minimum		Full	Minimum		Full	Minimum
2.5m and below	5,050	3,280	2.6m and below	4,050	3,280	2.6m and below	3,130	3,130
2.95m	4,050	2,730	2.95m	4,050	2,730	3.0m	3,130	2,680
3.25m	3,700	2,380	3.8m	3,130	1,830	3.8m	3,130	1,830
			4.1m	2,930	1,630	4.1m	2,930	1,630
			4.5m	2,630	1,430	4.5m	2,630	1,430
			5.0m	2,380	1,180	5.0m	2,380	1,180
			5.5m	2,180	1,030	5.5m	2,180	1,030
			5.69m	2,080	980	6.0m	1,980	930
						6.5m	1,830	850
						7.0m	1,680	780
						7.5m	1,530	700
						8.09m	1,430	600

- NOTES : 1. The mass of hook block (45kg), slings and all similarly used load handling devices must be added to the mass of the load.
2. The above numerical values of total rated loads are based on crane strength only. The total rated loads based on stability may lower than those in the above table depending on the loading conditions and the types of the chassis.

Empty Chassis Rated Capacities

Table A

Load Radius	3.47m Boom		Load Radius	5.91m Boom		Load Radius	8.31m Boom	
	Extension width of outriggers			Extension width of outriggers			Extension width of outriggers	
	Full	Minimum		Full	Minimum		FULL	Minimum
2.5m and below	5,050	2,380	2.6m and below	4,050	2,380	2.6m and below	3,130	2,380
2.8m	4,050	2,130	2.8m	4,050	2,130	3.4m	3,130	1,530
3.25m	3,280	1,680	3.3m	3,280	1,630	3.8m	2,680	1,330
			3.6m	2,930	1,430	4.1m	2,430	1,180
			4.1m	2,430	1,180	4.5m	2,030	980
			4.5m	2,030	980	5.0m	1,730	880
			5.0m	1,730	880	5.5m	1,430	730
			5.5m	1,430	730	6.0m	1,330	630
			5.69m	1,380	680	6.5m	1,180	580
						7.0m	1,030	530
						7.5m	930	480
						8.09m	830	430

Table B

Load Radius	3.47m Boom		Load Radius	5.91m Boom		Load Radius	8.31m Boom	
	Extension width of outriggers			Extension width of outriggers			Extension width of outriggers	
	Full	Minimum		Full	Minimum		Full	Minimum
2.5m and below	5,050	2,980	2.6m and below	4,050	2,730	2.6m and below	3,130	2,730
2.95m	4,050	2,330	2.95m	4,050	2,330	3.5m	3,130	1,730
3.25m	3,650	1,980	3.5m	3,380	1,730	3.8m	3,130	1,580
			4.1m	2,930	1,430	4.1m	2,930	1,430
			4.5m	2,480	1,230	4.5m	2,480	1,230
			5.0m	2,080	1,030	5.0m	2,080	1,030
			5.5m	1,780	930	5.5m	1,780	930
			5.69m	1,680	830	6.0m	1,580	780
						6.5m	1,430	730
						7.0m	1,280	650
						7.5m	1,130	580
						8.09m	1,030	530

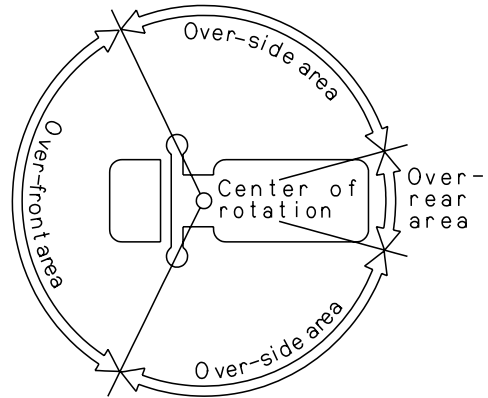
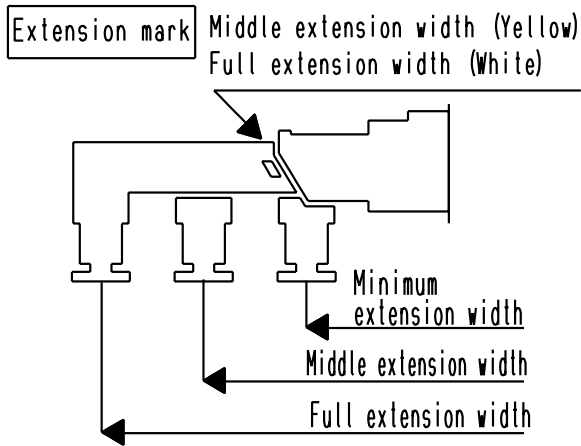
Table C

Load Radius	3.47m Boom		Load Radius	5.91m Boom		Load Radius	8.31m Boom	
	Extension width of outriggers			Extension width of outriggers			Extension width of outriggers	
	Full	Minimum		Full	Minimum		Full	Minimum
2.5m and below	5,050	3,130	2.6m and below	4,050	3,130	2.6m and below	3,130	3,130
2.95m	4,050	2,730	2.95m	4,050	2,730	3.0m	3,130	2,680
3.25m	3,700	2,380	3.8m	3,130	1,830	3.8m	3,130	1,830
			4.1m	2,930	1,630	4.1m	2,930	1,630
			4.5m	2,630	1,430	4.5m	2,630	1,430
			5.0m	2,380	1,180	5.0m	2,380	1,180
			5.5m	2,130	1,030	5.5m	2,130	1,030
			5.69m	2,030	980	6.0m	1,880	930
						6.5m	1,730	850
						7.0m	1,530	780
						7.5m	1,380	700
						8.09m	1,230	600

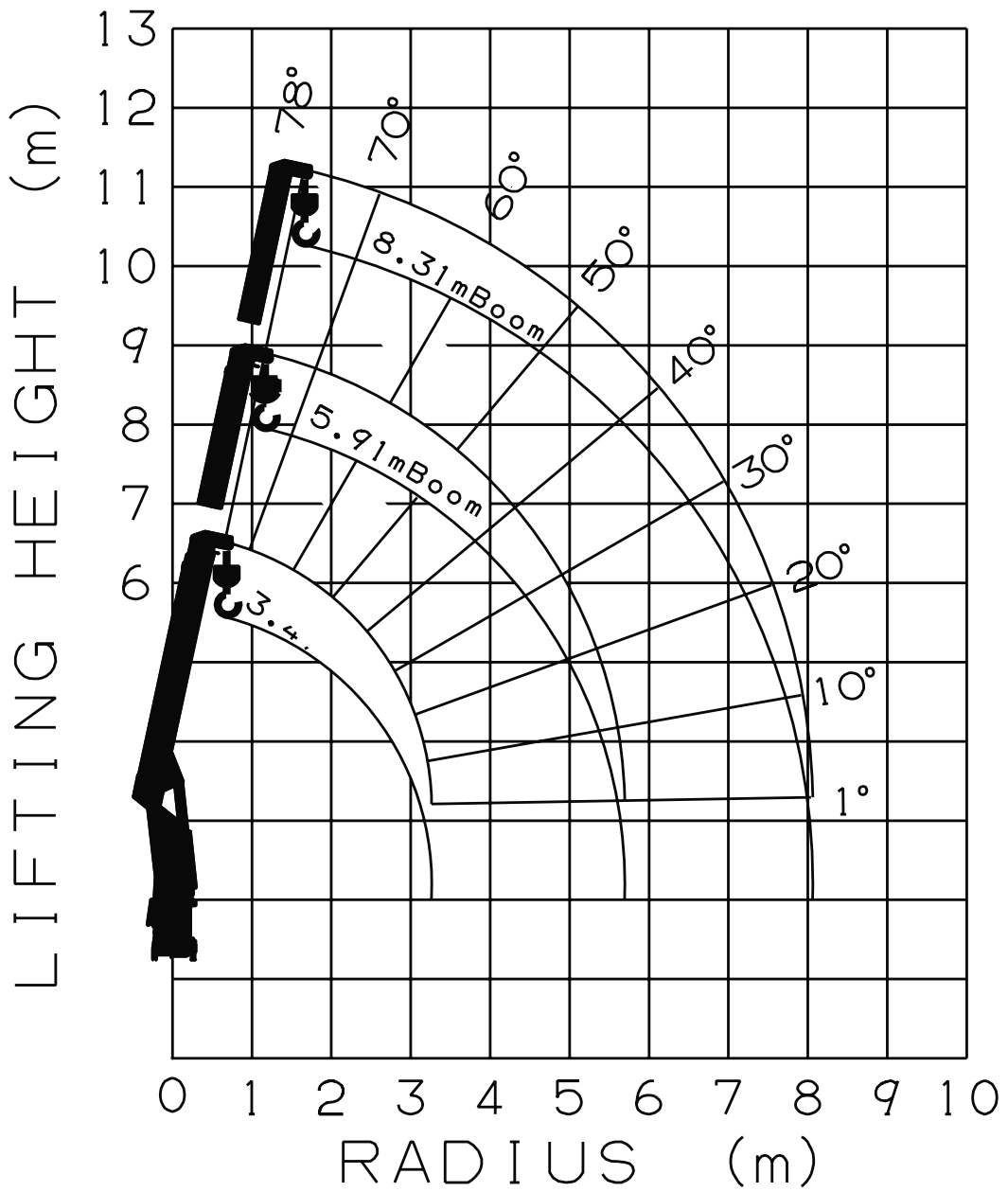
Table D

Load Radius	3.47m Boom		Load Radius	5.91m Boom		Load Radius	8.31m Boom	
	Extension width of outriggers			Extension width of outriggers			Extension width of outriggers	
	Full	Minimum		Full	Minimum		Full	Minimum
2.5m and below	5,050	3,280	2.6m and below	4,050	3,280	2.6m and below	3,130	3,130
2.95m	4,050	2,730	2.95m	4,050	2,730	3.0m	3,130	2,680
3.25m	3,700	2,380	3.8m	3,130	1,830	3.8m	3,130	1,830
			4.1m	2,930	1,630	4.1m	2,930	1,630
			4.5m	2,630	1,430	4.5m	2,630	1,430
			5.0m	2,380	1,180	5.0m	2,380	1,180
			5.5m	2,180	1,030	5.5m	2,180	1,030
			5.69m	2,080	980	6.0m	1,980	930
						6.5m	1,830	850
						7.0m	1,680	780
						7.5m	1,530	700
						8.09m	1,430	600

- NOTES :
1. Empty Chassis Rated Capacities in these tables depend on condition that crane is set level on firm level ground.
  2. The mass of hook block (45kg)、slings and all similarly used load handling devices must be added to the mass of the load.
  3. For boom lengths not shown, use the rated lifting capacity of next longer boom.
  4. When outriggers are extended to middle extension width, use the rated lifting capacities for outriggers are extended to minimum extension width.
  5. Empty Chassis Rated Capacities table A, B,C and D depend on the types of chassis.
  6. Empty Chassis Rated Capacities are shown for over-side areas and over-rear area. These capacities for over-front area may lowered depending on the types of chassis.

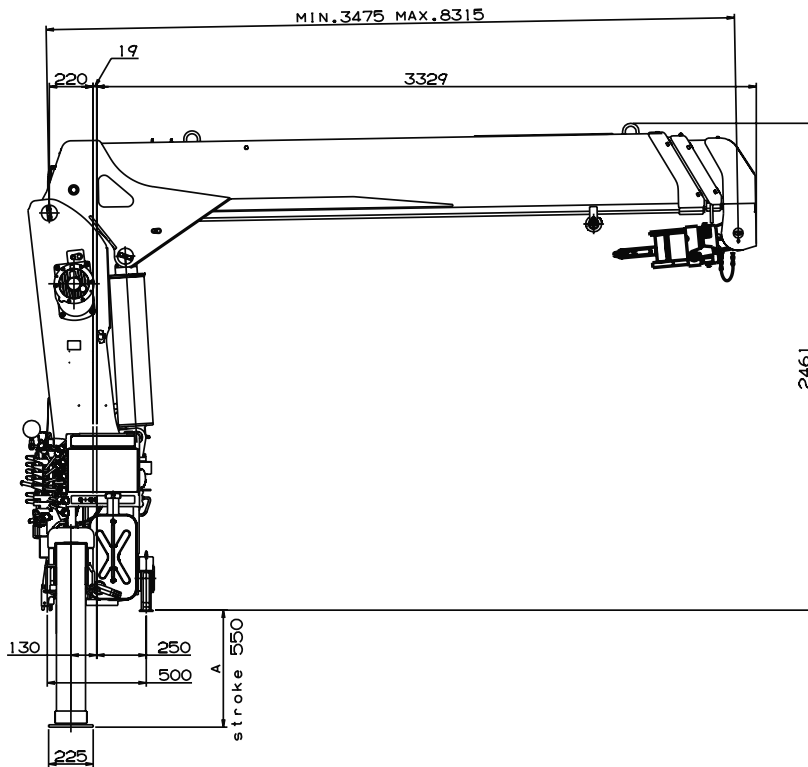


WORKING RANGE

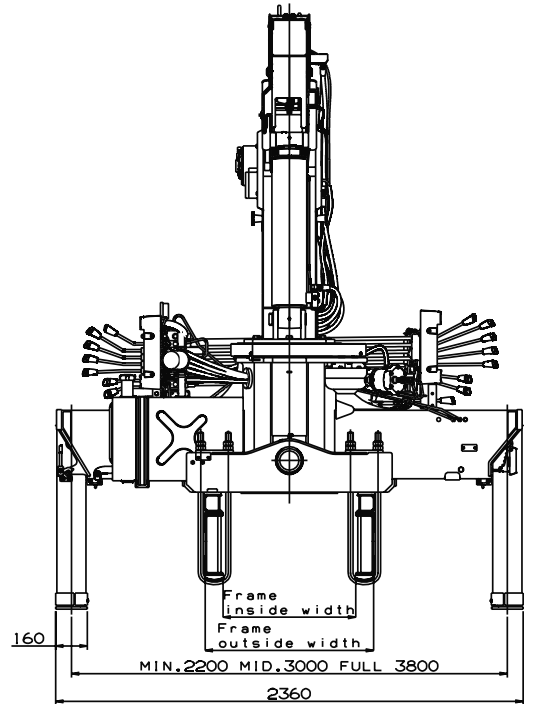


NOTE: The above lifting heights and boom angles are based on a straight (unladen) boom, and allowance should be made for boom deflection obtained under laden conditions.

DIMENSIONS  
[TM-ZE553MH]



A = 592mm or 722mm or 922mm  
(This dimension depends on jack floats applied.)



GENERAL DATA FOR SUITABLE TRUCKS

- Gross vehicle mass (including crane mass) --- 12,000 to 25,000 kg
- P.T.O. torque ----- 157 N·m{16 kgf·m} min.
- P.T.O. revolution ----- Approx. 270 to 2,800 min<sup>-1</sup>{rpm}
- Width for crane mounting ----- Approx. 750 mm min.
- Frame ----- Weight distribution and frame strength should be calculated for each truck
- Frame width range (inside to outside) ----- Approx. 610 to 960 mm
- Frame height (ground to frame top) ----- Approx. 1,235 mm max.  
(Height of crane mounting base can be changed by combination of jack floats and crane bases)