





## RATED LIFTING CAPACITIES IN KILOGRAMS

### Crane Strength Rated Capacities

Load Radius	3.55 m Boom		Load Radius	5.99 m Boom		Load Radius	8.39 m Boom		Load Radius	10.8 m Boom	
	Extension width of outriggers			Extension width of outriggers			Extension width of outriggers			Extension width of outriggers	
	Full	Minimum		Full	Minimum		Full	Minimum		Full	Minimum
2.5 m and below	5,050	3,380	2.5 m and below	4,050	3,380	2.5m and below	3,130	3,130	3.5 m and below	2,130	1,930
2.9 m	4,050	2,680	2.9 m	4,050	2,680	3.0 m	3,130	2,630	4.5 m	2,130	1,330
3.33m	3,550	2,230	3.7 m	3,130	1,870	3.7 m	3,130	1,870	5.0 m	2,030	1,080
			4.0 m	2,930	1,630	4.0 m	2,930	1,630	6.0 m	1,780	780
			4.5 m	2,580	1,380	4.5 m	2,580	1,380	7.0 m	1,530	730
			5.0 m	2,330	1,130	5.0 m	2,330	1,130	8.0m	1,380	550
			5.77m	2,030	930	5.5 m	2,080	930	9.0m	1,200	500
						6.0 m	1,930	830	10.0 m	1,050	430
						6.5 m	1,780	780	10.58m	1,000	380
						7.0 m	1,630	730			
						7.5 m	1,480	650			
						8.17m	1,380	550			

- NOTES : 1. The mass of hook block (45kg), slings and all similarly used load handling devices must be added to the mass of the load.
2. The above numerical values of total rated loads are based on crane strength only. The total rated loads based on stability may lower than those in the above table depending on the loading conditions and the types of the chassis.

### Empty Chassis Rated Capacities

Table A

Load Radius	3.55 m Boom		Load Radius	5.99 m Boom		Load Radius	8.39 m Boom		Load Radius	10.8 m Boom	
	Extension width of outriggers			Extension width of outriggers			Extension width of outriggers			Extension width of outriggers	
	Full	Minimum		Full	Minimum		Full	Minimum		Full	Minimum
2.5 m and below	5,050	2,480	2.6 m and below	4,050	2,480	2.6m and below	3,130	2,480	3.5 m and below	2,130	1,480
2.8 m	4,050	2,130	2.8 m	4,050	2,130	3.0 m	3,130	1,880	4.0 m	2,130	1,180
3.33m	3,250	1,630	3.6 m	2,930	1,430	3.6 m	2,930	1,430	4.5 m	1,980	930
			4.0 m	2,430	1,180	4.0 m	2,430	1,180	5.0 m	1,630	780
			4.5 m	1,980	930	4.5 m	1,980	930	6.0 m	1,180	580
			5.0 m	1,680	830	5.0 m	1,680	830	7.0 m	1,000	450
			5.77m	1,330	680	5.5 m	1,430	680	8.0 m	800	380
						6.0 m	1,180	580	9.0 m	680	330
						6.5 m	1,130	550	10.0 m	580	280
						7.0 m	1,000	480	10.58m	550	250
						7.5 m	900	430			
						8.17m	780	380			

Table B

Load Radius	3.55 m Boom		Load Radius	5.99 m Boom		Load Radius	8.39 m Boom		Load Radius	10.8 m Boom	
	Extension width of outriggers			Extension width of outriggers			Extension width of outriggers			Extension width of outriggers	
	Full	Minimum		Full	Minimum		Full	Minimum		Full	Minimum
2.5 m and below	5,050	2,730	2.3 m and below	4,050	3,130	2.3m and below	3,130	3,130	3.5 m and below	2,130	1,730
2.9 m	4,050	2,380	2.9 m	4,050	2,380	3.0 m	3,130	2,280	4.0 m	2,130	1,430
3.33m	3,550	1,930	3.7 m	3,130	1,580	3.7 m	3,130	1,580	4.5 m	2,130	1,180
			4.0 m	2,930	1,430	4.0 m	2,930	1,430	5.0 m	1,980	930
			4.5 m	2,430	1,180	4.5 m	2,430	1,180	6.0 m	1,480	730
			5.0 m	2,030	980	5.0 m	2,030	980	7.0 m	1,180	580
			5.77m	1,630	780	5.5 m	1,730	830	8.0 m	950	480
						6.0 m	1,480	730	9.0 m	880	430
						6.5 m	1,380	680	10.0 m	730	350
						7.0 m	1,230	630	10.58m	680	330
						7.5 m	1,080	530			
						8.17m	980	480			

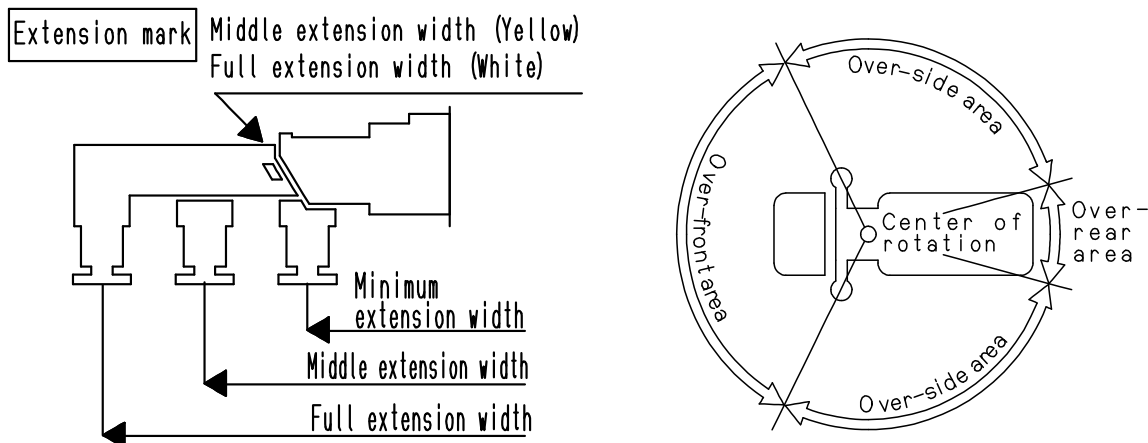
Table C

Load Radius	3.55 m Boom		Load Radius	5.99 m Boom		Load Radius	8.39 m Boom		Load Radius	10.8 m Boom	
	Extension width of outriggers			Extension width of outriggers			Extension width of outriggers			Extension width of outriggers	
	Full	Minimum		Full	Minimum		Full	Minimum		Full	Minimum
2.5 m and below	5,050	3,130	2.6 m and below	4,050	3,130	2.5m and below	3,130	3,130	3.5 m and below	2,130	1,930
2.9 m	4,050	2,680	2.9 m	4,050	2,680	3.0 m	3,130	2,630	4.5 m	2,130	1,330
3.33m	3,550	2,230	3.7 m	3,130	1,870	3.7 m	3,130	1,870	5.0 m	2,030	1,080
			4.0 m	2,930	1,630	4.0 m	2,930	1,630	6.0 m	1,780	780
			4.5 m	2,580	1,380	4.5 m	2,580	1,380	7.0 m	1,480	730
			5.0 m	2,330	1,130	5.0 m	2,330	1,130	8.0 m	1,200	550
			5.77m	2,030	930	5.5 m	2,030	930	9.0 m	1,030	500
						6.0 m	1,830	830	10.0 m	900	430
						6.5 m	1,650	780	10.58m	830	380
						7.0 m	1,480	730			
						7.5 m	1,350	650			
						8.17m	1,180	550			

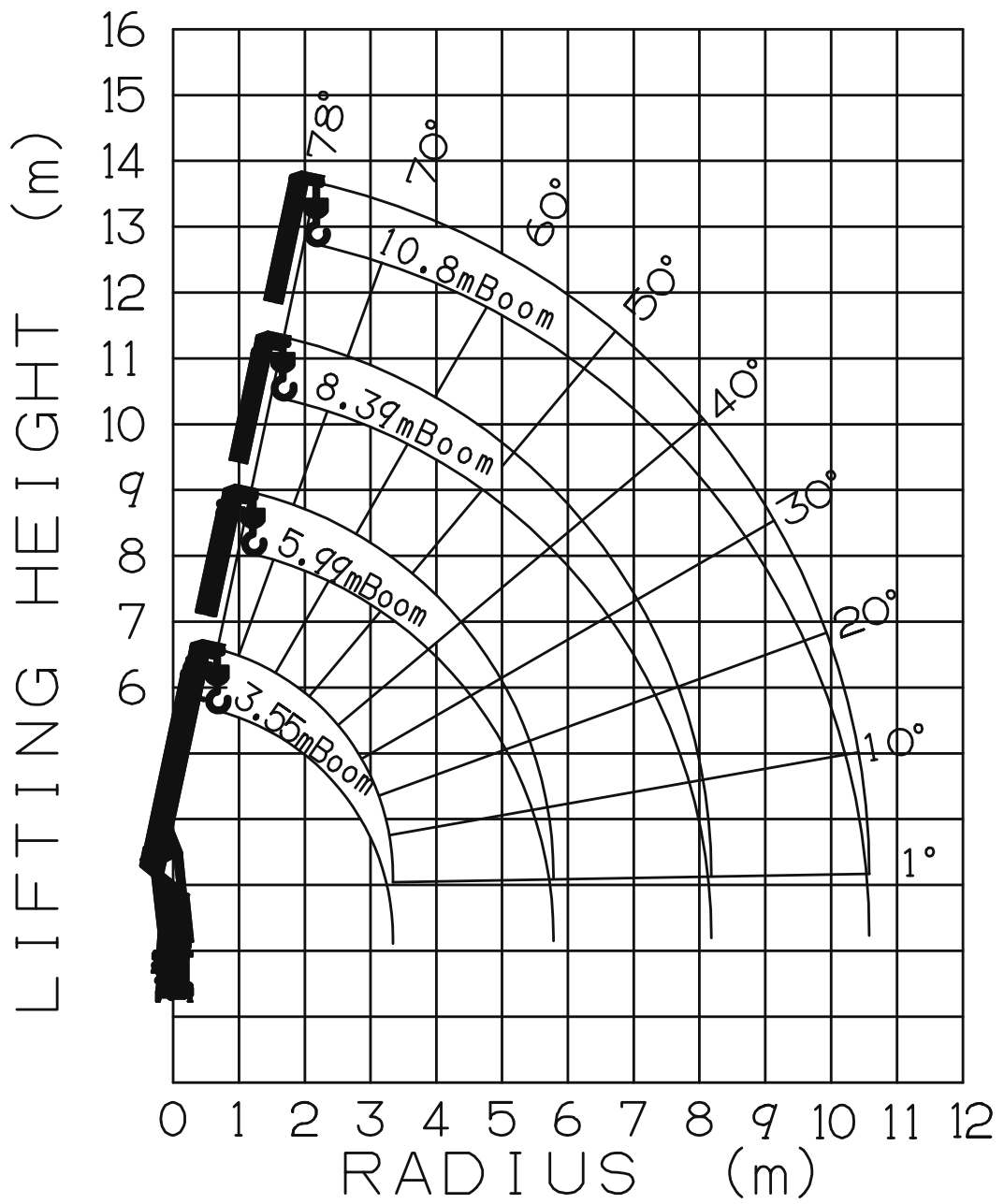
Table D

Load Radius	3.55 m Boom		Load Radius	5.99 m Boom		Load Radius	8.39 m Boom		Load Radius	10.8 m Boom	
	Extension width of outriggers			Extension width of outriggers			Extension width of outriggers			Extension width of outriggers	
	Full	Minimum		Full	Minimum		Full	Minimum		Full	Minimum
2.5 m and below	5,050	3,380	2.5 m and below	4,050	3,380	2.5m and below	3,130	3,130	3.5 m and below	2,130	1,930
2.9 m	4,050	2,680	2.9 m	4,050	2,680	3.0 m	3,130	2,630	4.5 m	2,130	1,330
3.33m	3,550	2,230	3.7 m	3,130	1,870	3.7 m	3,130	1,870	5.0 m	2,030	1,080
			4.0 m	2,930	1,630	4.0 m	2,930	1,630	6.0 m	1,780	780
			4.5 m	2,580	1,380	4.5 m	2,580	1,380	7.0 m	1,530	730
			5.0 m	2,330	1,130	5.0 m	2,330	1,130	8.0 m	1,380	550
			5.77m	2,030	930	5.5 m	2,080	930	9.0 m	1,200	500
						6.0 m	1,930	830	10.0m	1,050	430
						6.5 m	1,780	780	10.58m	1,000	380
						7.0 m	1,630	730			
						7.5 m	1,480	650			
						8.17m	1,380	550			

- NOTES :
1. Empty Chassis Rated Capacities in these tables depend on condition that crane is set level on firm level ground.
  2. The mass of the hook (45 kg), slings and all similarly used load handling devices must be added to the mass of the load.
  3. For boom lengths not shown, use the rated lifting capacity of next longer boom.
  4. When outriggers are extended to middle extension width, use the rated lifting capacities for outriggers are extended to minimum extension width.
  5. 8.39m boom means  $\sphericalangle$  mark on 3rd boom section side plate is half seen.
  6. Empty Chassis Rated Capacities table A, B, C and D depend on the types of chassis.
  7. Empty Chassis Rated Capacities are shown for over - side areas and over - rear area.  
These capacities for over - front area may lowered depending on the types of chassis.



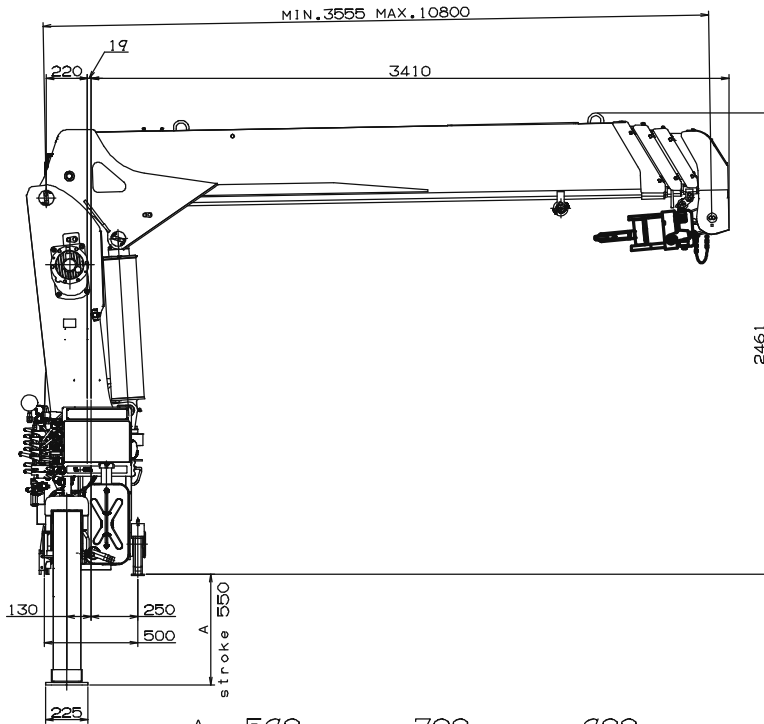
### WORKING RANGE



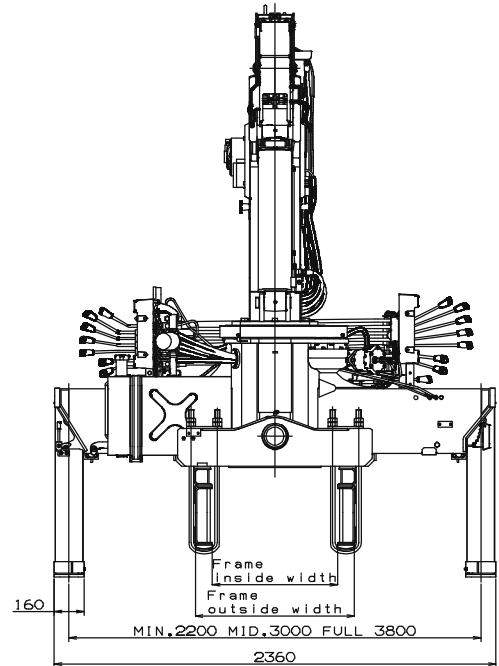
NOTE: The above lifting heights and boom angles are based on a straight (unladen) boom, and allowance should be made for boom deflection obtained under laden conditions.

## DIMENSIONS

[TM-ZE554MH ]



A= 592mm or 722mm or 922mm  
(This dimension depends on Jack floats applied.)



## GENERAL DATA FOR SUITABLE TRUCKS

Gross vehicle mass (including crane mass) -----	12,000 to 25,000 kg
P.T.O. torque -----	157 N-m{16 kgf-m} min.
P.T.O. revolution -----	Approx. 270 to 2,800 min <sup>-1</sup> {rpm}
Width for crane mounting -----	Approx. 750 mm min.
Frame -----	Weight distribution and frame strength should be calculated for each truck
Frame width range (inside to outside) -----	Approx. 610 to 960 mm
Frame height (ground to frame top) -----	Approx. 1,235 mm max.

(Height of crane mounting base can be changed by combination of jack floats and crane bases)